

PRE-ORDER NOW
SHIPPING SEPT 2024

AUTEL MAXISYS

IA700 MODULAR ADAS CALIBRATION SYSTEM

Advanced optical wheel alignment pre-check and ADAS calibration system engineered for both in-shop and mobile applications.

FULLY OPTICAL TARGET PLACEMENT

reduces setup time by 6X versus mechanical measurements.



UNEVEN FLOOR COMPENSATION

eliminates failed calibrations due to uneven surfaces.

INTEGRATED WHEEL ALIGNMENT PRE-CHECK

ensures your workflow follows OEM-sourced procedures.



STATE-OF-THE-ART MODULAR ADAS FRAME & SYSTEM



AUTEL ACADEMY TECHNICAL TRAINING

Visit autel.com/us/academy and register today for our onsite 2-day hands on ADAS Calibration training.

AUTEL®

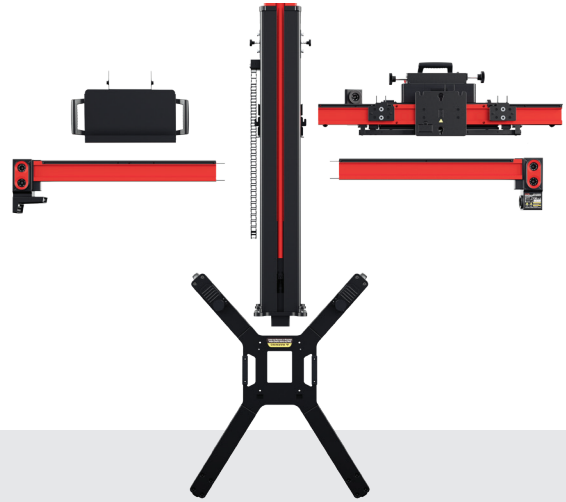
1.855.288.3587 | [AUTEL.COM](https://autel.com) | FOLLOW US @AUTELTOOLS

ADVANCED ADAS FUNCTIONALITY

- **Fully Optical Target Placement** reduces setup time by 6X versus mechanical measurements.
- **Unlevel Floor Compensation** eliminates failed calibrations due to uneven surfaces.
- **Integrated Wheel Alignment Pre-check** ensures your workflow follows OEM-sourced procedures.
- **Guided ADAS** for late model ADAS calibration.

STATE-OF-THE-ART MODULAR ADAS SYSTEM

- **6 High-definition Cameras & Wheel Clamp Targets** deliver industry-leading accuracy of 0.02°.
- **Robotic Height Adjustment** automatically achieves proper crossbar calibration position.
- **Detachable Crossbar** minimizes the system's footprint for storage in tight spaces.
- **Quickly Disassembles** into 5 primary parts in less than 90 seconds for easy transport.



GUIDED INSTRUCTIONS, OEM PROCEDURES, AND VALIDATED REPORTING

- **Visual Guidance** and easy to follow step-by-step instructions reduce the training learning curve.
- **Digital Confirmation** ensures correct target placement and prevents advancement when elements are out of spec.
- **One Stop OEM-sourced Procedures** ensure accurate calibrations and repairs every time.
- **Validated Target Position Reporting** confirms every calibration completed to OEM specs.

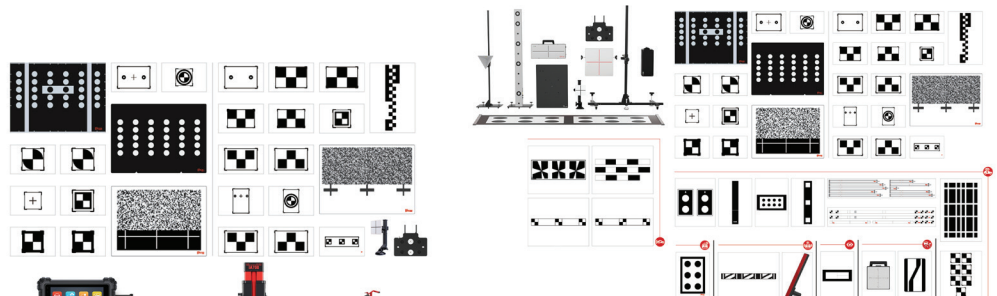


ADVANCED DIAGNOSTICS & THOROUGH VEHICLE COVERAGE

- **Autel MaxiSYS Scan Tool** featuring advanced diagnostics, secure gateway access, and the Remote Expert platform.
- **Industry-leading Vehicle Coverage** for U.S., Asian, and European vehicles.

SCALABLE IA700 PACKAGES

from alignment pre-check, to LDW calibration, and complete all-systems ADAS.



WHEEL ALIGNMENT PRE-CHECK

P/N: IA700T

Tablet Included

P/N: IA700

Tablet Not Included



ALIGNMENT PRE-CHECK + LDW ADAS

P/N: IA700LDWT

Tablet Included

P/N: IA700LDW

Tablet Not Included



ALIGNMENT PRE-CHECK + ALL SYSTEMS ADAS

P/N: IA700AST

Tablet Included

P/N: IA700AS

Tablet Not Included